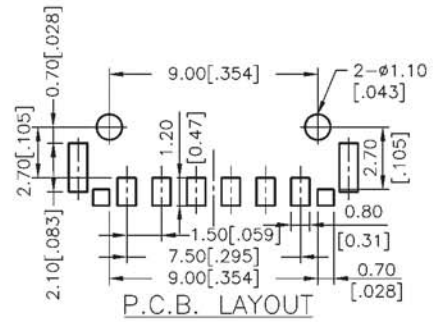
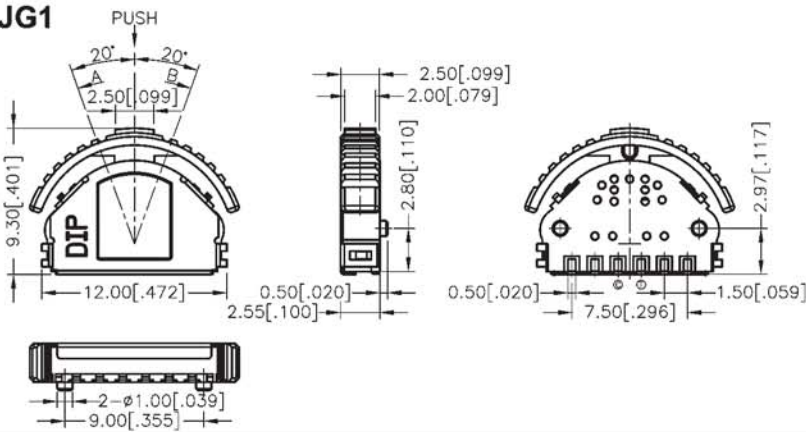
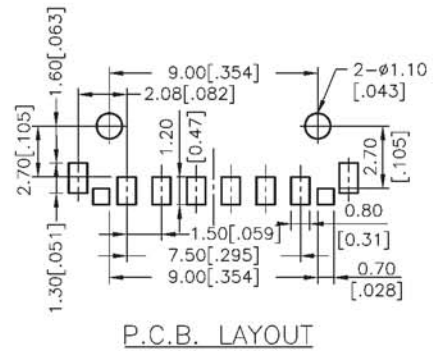
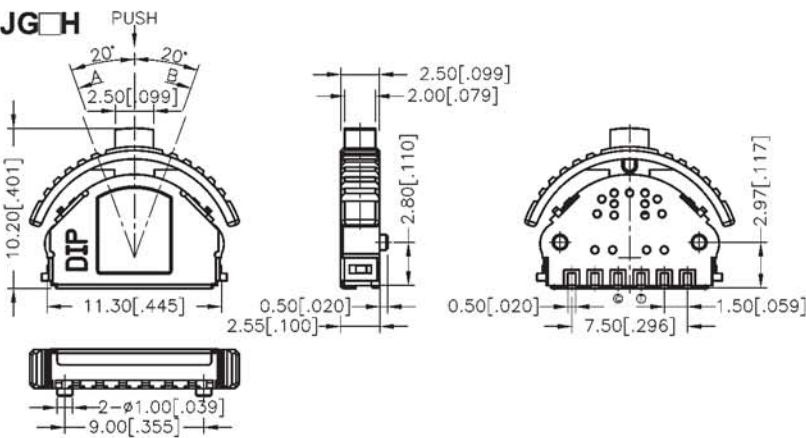


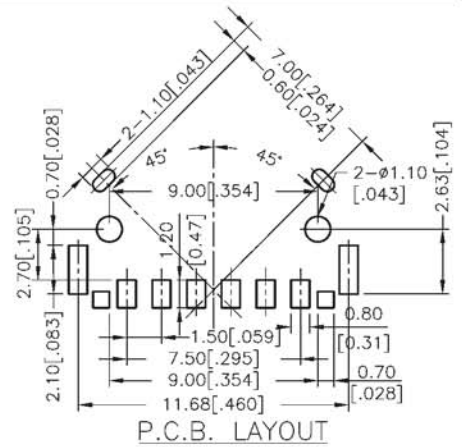
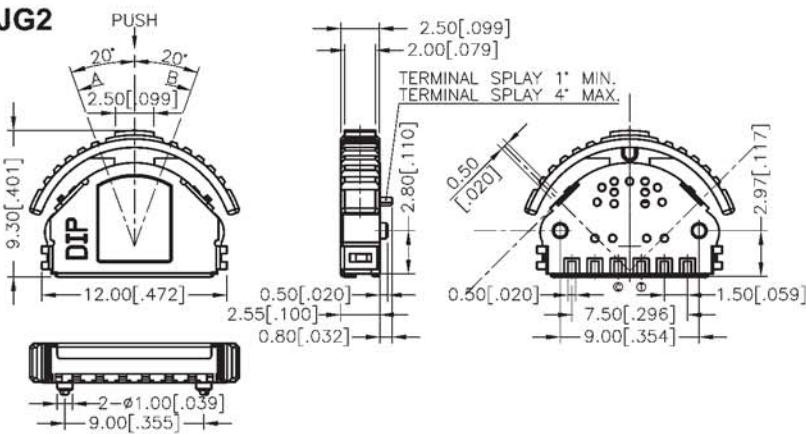
### PLJG1



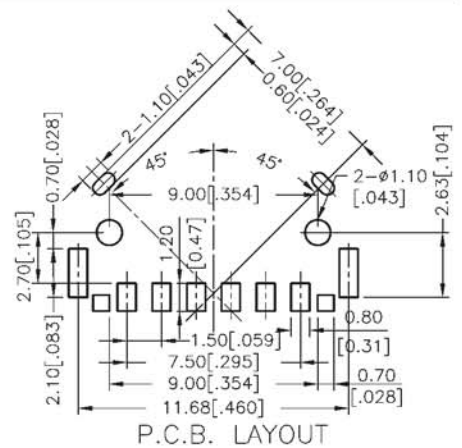
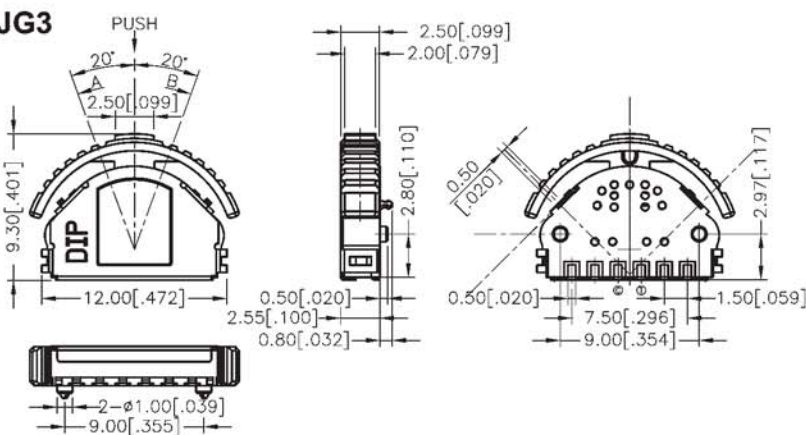
### PLJG H



### PLJG2



### PLJG3



General Tolerance:  $\pm 0.2\text{mm}$  ( $\pm 0.008"$ )