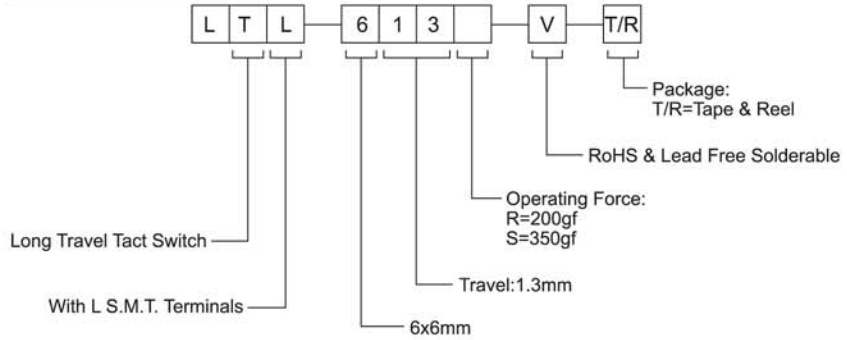




HOW TO ORDER



SPECIFICATION

MECHANICAL

Mechanical Life: 100,000 cycles (200gf)
 30,000 cycles (350gf)
 Operation Force: 200 ± 50 gf
 350 ± 100 gf
 Stroke: $1.30 \pm 0.1 / - 0.3$ mm

ENVIRONMENTAL

Operation Temperature Range : -40°C to $+85^{\circ}\text{C}$
 Storage Temperature Range : -40°C to $+85^{\circ}\text{C}$

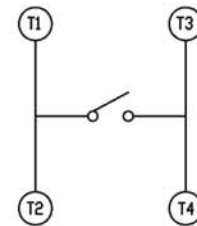
ELECTRICAL

Electrical Life: 30,000 cycles
 Rating : 50mA, 12VDC

PACKAGE

Tape and Reel: 900 pcs/reel

CIRCUIT



LTL

