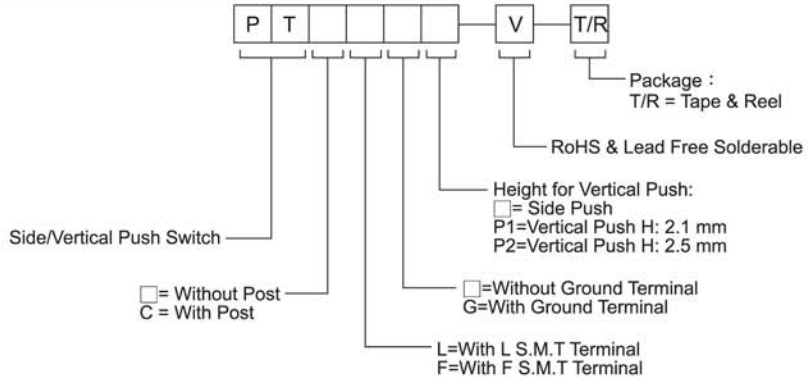


PT(C)L, PT(C)F SERIES

3.5x4.7
Side Push & Vertical Push



HOW TO ORDER



SPECIFICATION

MECHANICAL

Operation Force: 220+80/-70gf Side push
160+50gf Vertical push
Stroke: 0.30+0.1mm/-0.15mm Side push
0.20+0.1mm Vertical push

ENVIRONMENTAL

Operation Temperature Range : -25°C to +70°C
Storage Temperature Range : -30°C to +80°C

ELECTRICAL

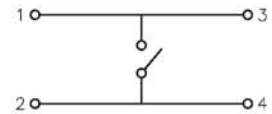
Electrical Life: 100,000 cycles min.
Rating : 50mA, 12VDC

PACKAGE

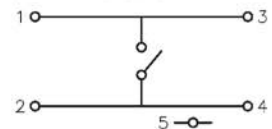
Side push type: 3000 pcs/reel
Vertical push type: 2400 pcs/reel

CIRCUIT

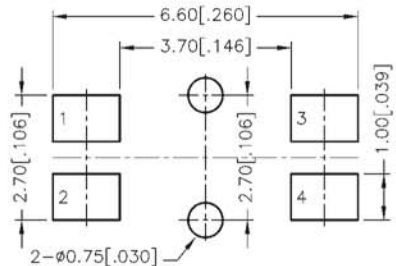
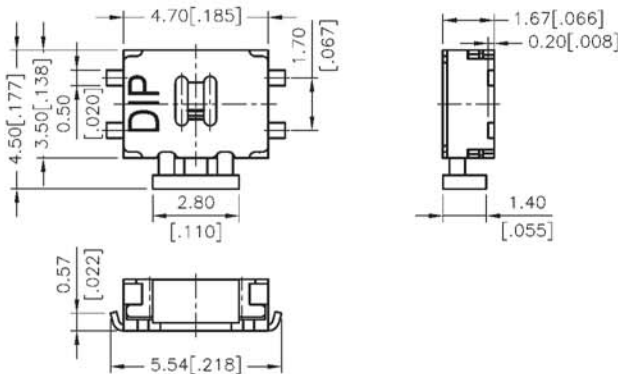
PT(L)(F)



PT(L)(F)G, PTC(L)(F)GP

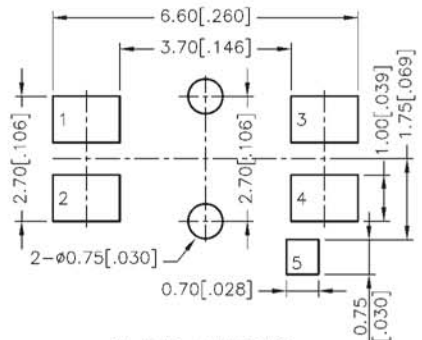
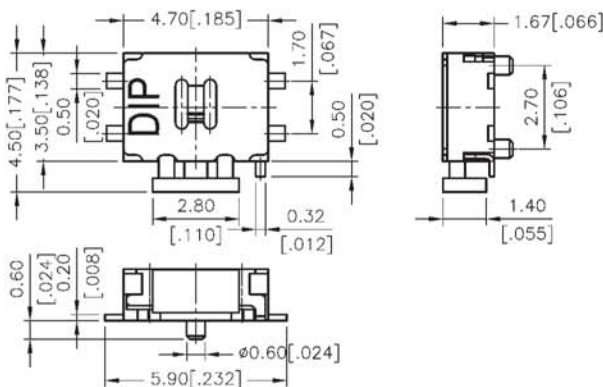


PTCL



P.C.B. LAYOUT

PTCFG



P.C.B. LAYOUT

General Tolerance: ±0.2mm(±0.008")

www.diptronics.nl