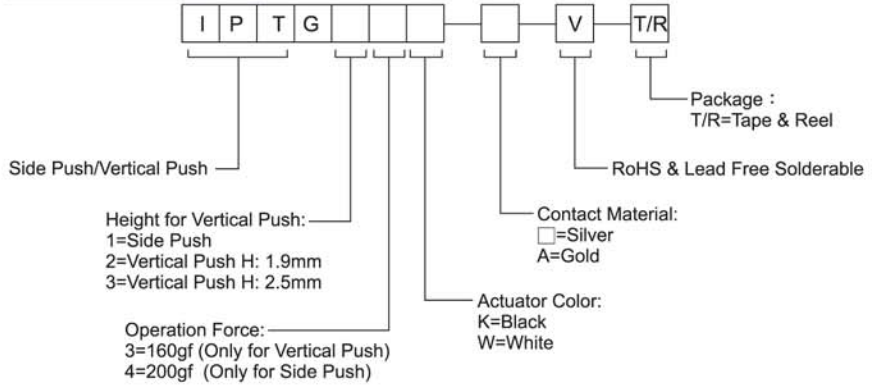


HOW TO ORDER



SPECIFICATION

MECHANICAL

Mechanical Life : 100,000 cycles min
 Operation Force: 200±65gf (Side Push)
 160±50gf (Vertical Push)
 Stroke: 0.25+0.2mm/ - 0.1mm

ENVIRONMENTAL

Operation Temperature Range : -30°C to +80°C
 Storage Temperature Range : -40°C to +85°C

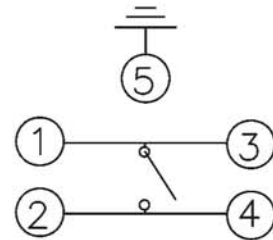
ELECTRICAL

Electrical Life: 50,000 cycles min
 Rating : 50mA, 12VDC

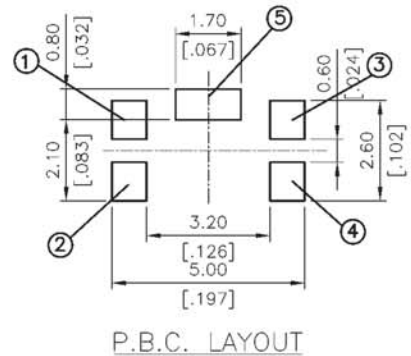
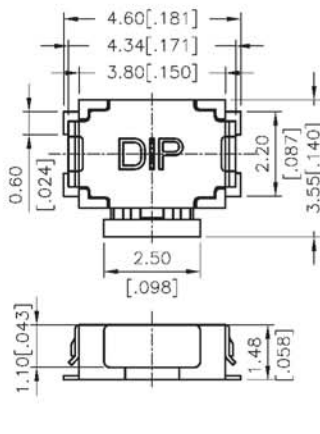
PACKAGE

IP TG14K: 3500 pcs/reel
 IPTG23K: 7000 pcs/reel
 IPTG33K: 6300 pcs/reel

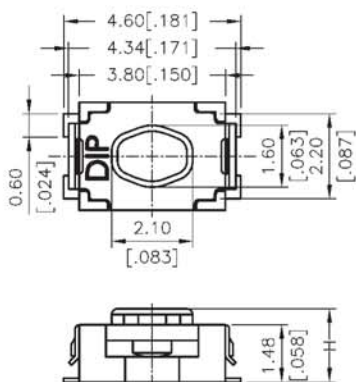
CIRCUIT



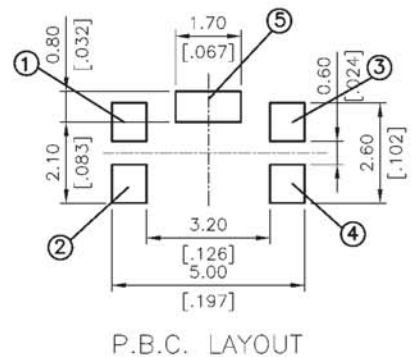
IPTG1



IPTG □



IPTG3	2.50 [.098]
IPTG2	1.90 [.075]
PART NO.	H



General Tolerance: ±0.2mm (±0.008")