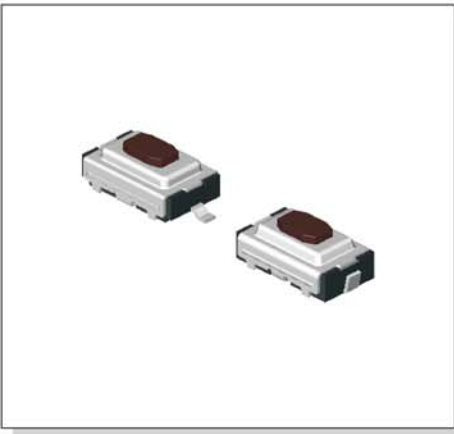
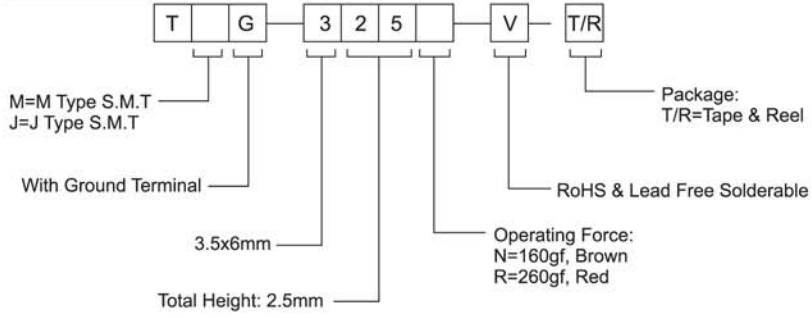


# TMG | TJG-325 SERIES

## 3.5x6 Thinner Type Tactile Switch



### HOW TO ORDER



### SPECIFICATION

#### MECHANICAL

Operation Force: 260 ± 50gf Red(R)  
160 ± 50gf Brown(N)  
Stroke : 0.25+0.2/-0.1mm

#### ENVIRONMENTAL

Operation Temperature Range : -25°C to +70°C  
Storage Temperature Range : -30°C to +80°C

#### ELECTRICAL

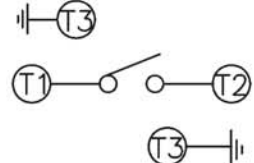
Electrical Life : 50,000 cycles for 160gf  
20,000 cycles for 260gf  
Rating : 50mA, 12VDC

#### PACKAGE

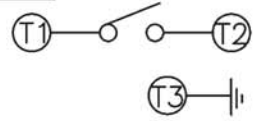
Tape and Reel: 2800 pcs/reel

### CIRCUIT

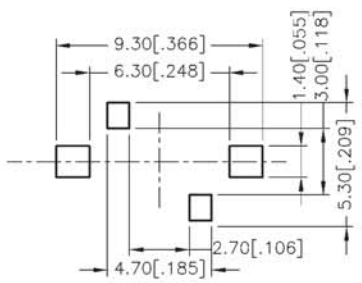
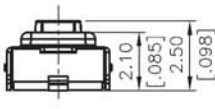
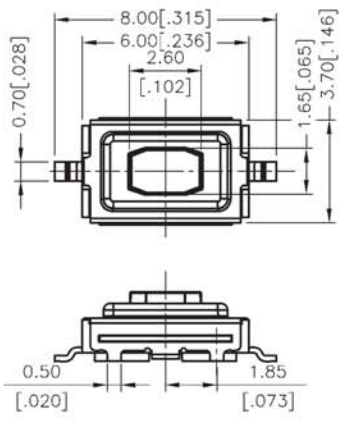
#### TMG-325



#### TJG-325

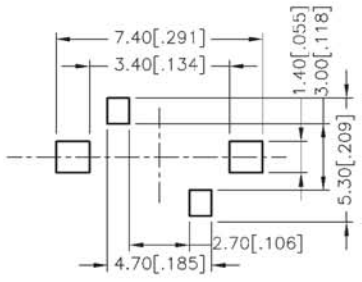
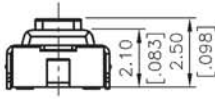
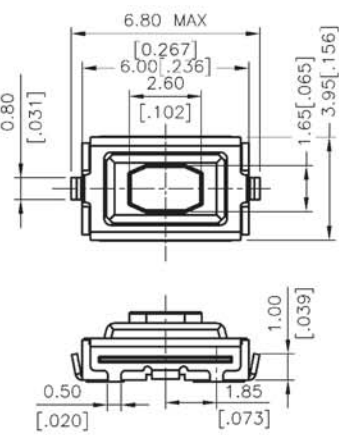


### TMG-325



P.C.B LAYOUT

### TJG-325



P.C.B LAYOUT

General Tolerance: ±02mm(±0.008")