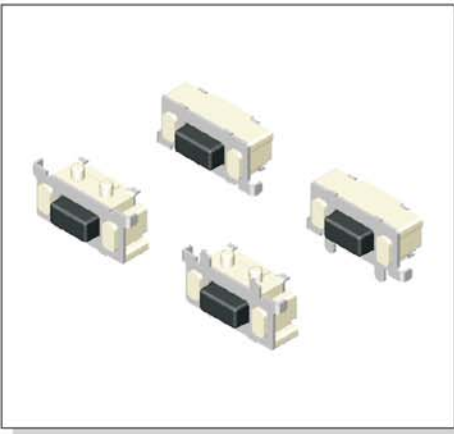
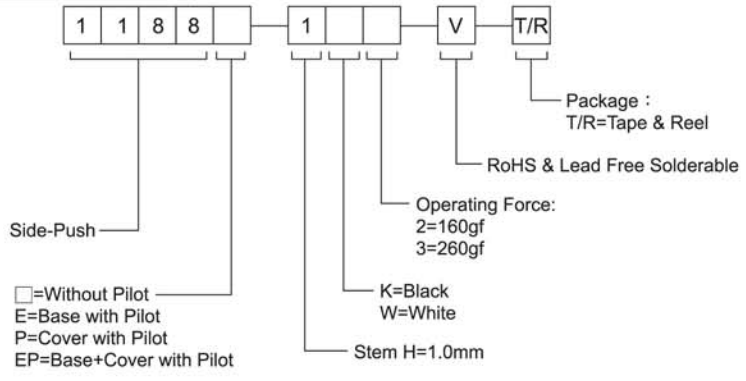




1188 SERIES

3.5x7 SMT & Right Angle

HOW TO ORDER



SPECIFICATION

MECHANICAL

Operation Force: 260 ± 50gf
160 ± 50gf
Stroke: 0.25 ± 0.1 mm

ENVIRONMENTAL

Operation Temperature Range : -25°C to +70°C
Storage Temperature Range : -40°C to +80°C

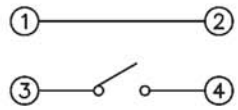
ELECTRICAL

Electrical Life : 50,000 cycles for 160gf.
30,000 cycles for 260gf.
Rating : 50mA, 12VDC

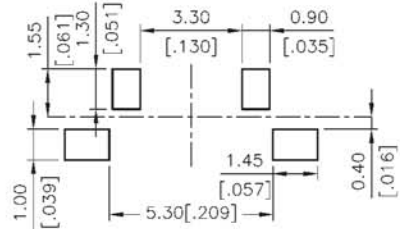
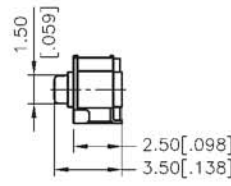
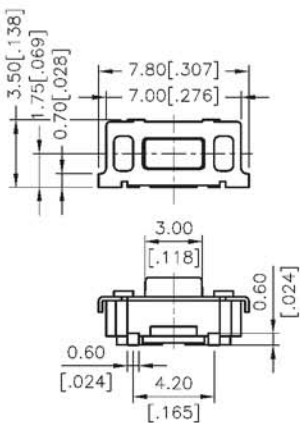
PACKAGE

Tape and Reel: 2000 pcs/reel

CIRCUIT

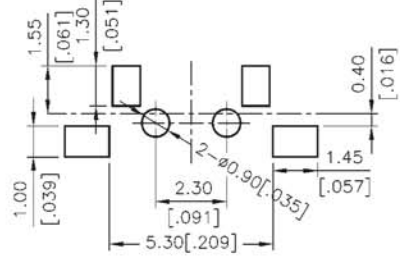
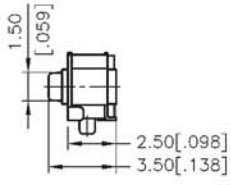
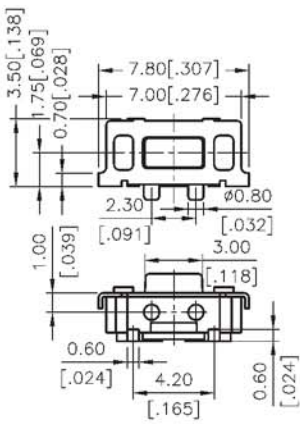


1188



P.C.B LAYOUT

1188E



P.C.B LAYOUT

General Tolerance: ±0.2mm(±0.008")