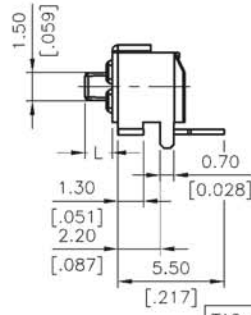
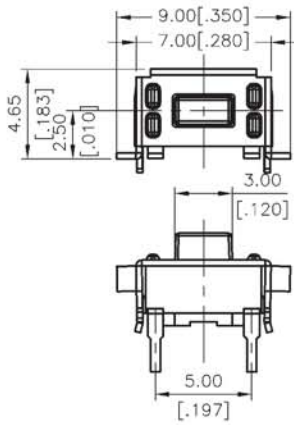


TAC-3, TA(N)2-3 SERIES

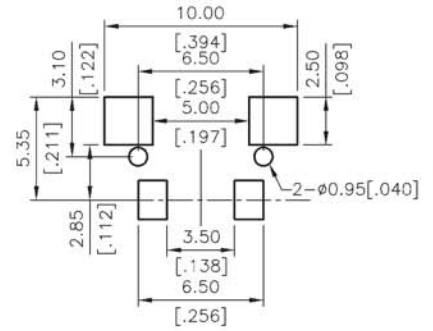
4x7 SMT & Right Angle



TA2-3



TA2-32	1.40 [.055]
TA2-31	0.70 [.027]
PART NO.	H



P.C.B LAYOUT