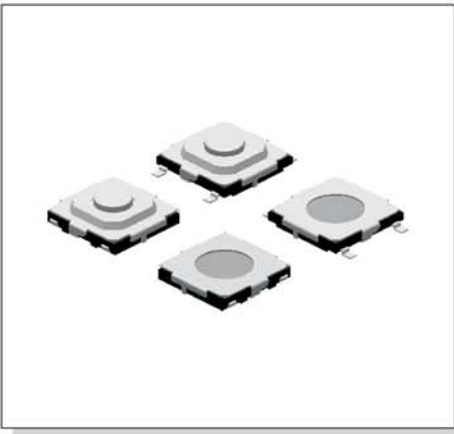
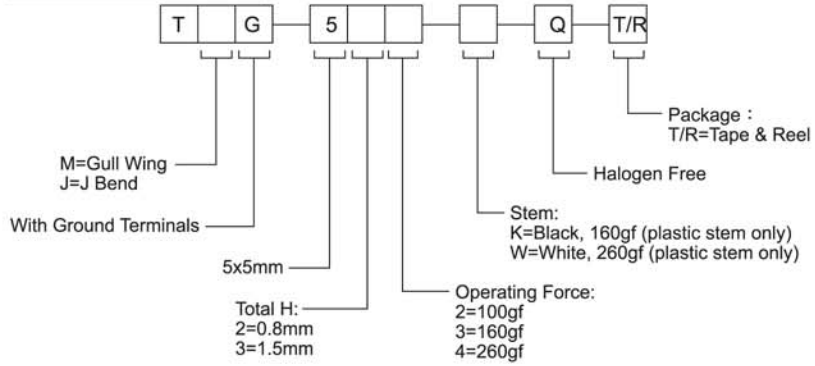


# TMG -5, TJG-5 SERIES

5x5 SMT & J SMT  
(H: 0.8 & 1.5mm)



## HOW TO ORDER



## SPECIFICATION

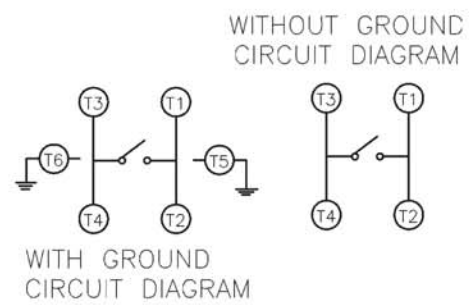
**MECHANICAL**  
 Operation Force: 260 ± 50gf  
 160 ± 50gf  
 100 ± 50gf  
 Stroke: 0.25+0.1 mm/- 0.2 mm

**ENVIRONMENTAL**  
 Operation Temperature Range : -25°C to +70°C  
 Storage Temperature Range : -30°C to +80°C

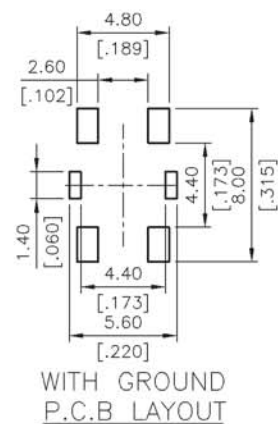
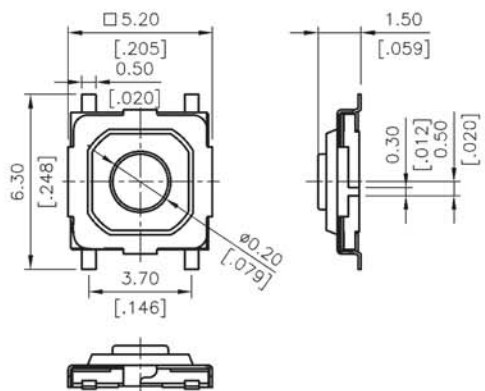
**ELECTRICAL**  
 Electrical Life:  
 1000,000 cycles min. for 100gf and 160gf  
 200,000 cycles min. for 260gf  
 Rating : 50mA, 12VDC

**PACKAGE**  
 Tape and Reel: 4000 pcs/reel

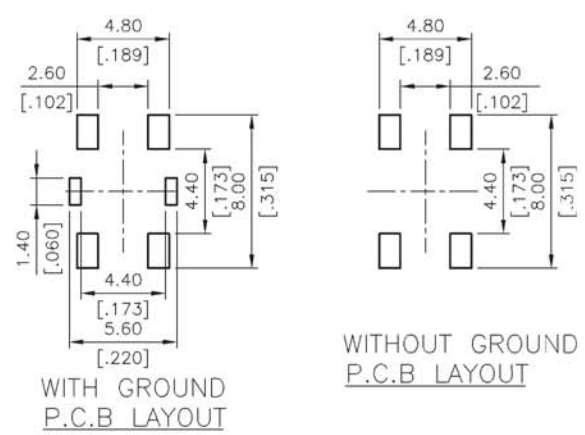
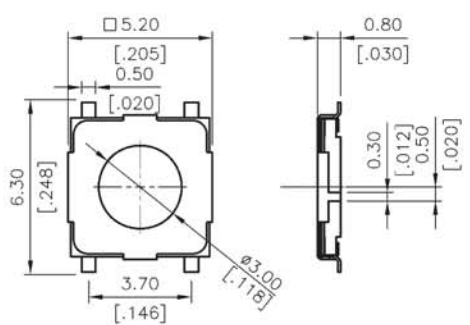
## CIRCUIT



## TMG-53



## TMG-52



General Tolerance: ±0.2mm(±0.008")