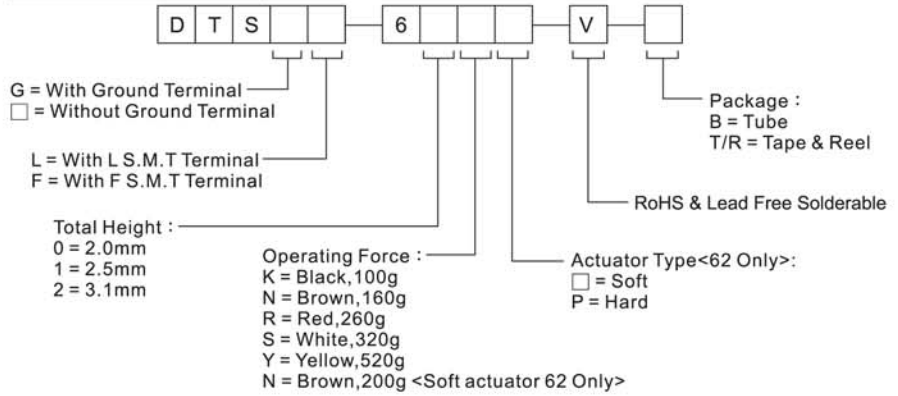


# DTS(G)L-6 & DTS(G)F-6 SERIES

## 6x6 Thinner Type With Ground Terminal (Pitch 4.0mm)



### HOW TO ORDER



### SPECIFICATION

#### MECHANICAL

Operation Force:  
 520±130gf Yellow(Y)  
 320±80gf White(S)  
 260±50gf Red(R)  
 180±50gf Brown(N), 62 Only  
 160±50gf Brown(N)  
 100±50gf Black(K)  
 Stroke: 0.25±0.2/-0.1mm

#### ENVIRONMENTAL

Operation Temperature Range : -25°C to +70°C  
 Storage Temperature Range : -30°C to +80°C

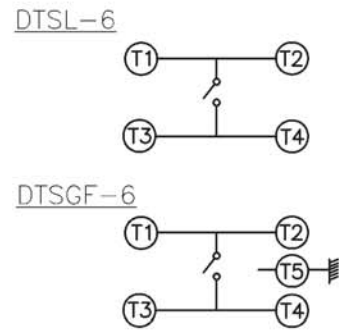
#### ELECTRICAL

Electrical Life:  
 300,000 cycles for 320gf, 520gf  
 500,000 cycles for 260gf, 200gf  
 1,000,000 cycles for 100gf, 160gf, 180gf  
 Rating : 50mA, 12VDC

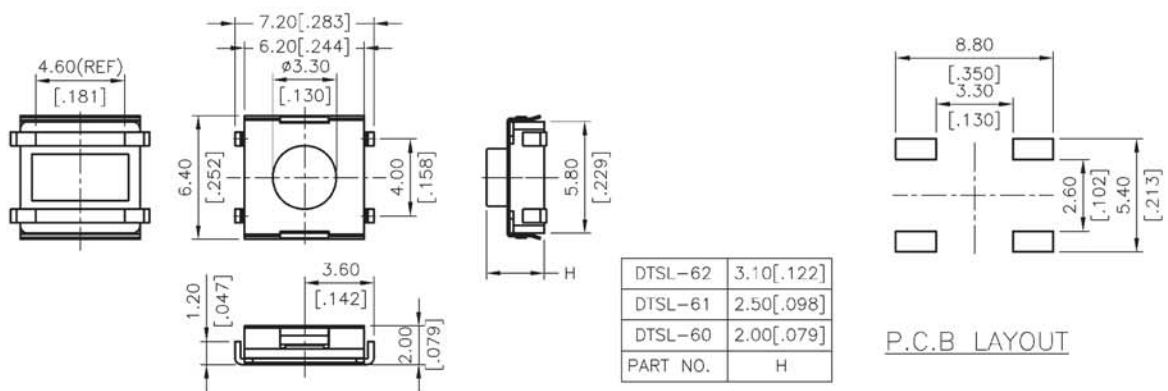
#### PACKAGE

Tube: 75 pcs/tube  
 DTS(G)L-60-T/R: 2700 pcs/reel  
 DTS(G)L-61-T/R: 2700 pcs/reel  
 DTS(G)L-62-T/R: 2500 pcs/reel  
 DTS(G)F-60-T/R: 3000 pcs/reel  
 DTS(G)F-62-T/R: 2500 pcs/reel  
 DTSGF-61-T/R: 2500 pcs/reel  
 DTSL-61-T/R: 3000 pcs/reel

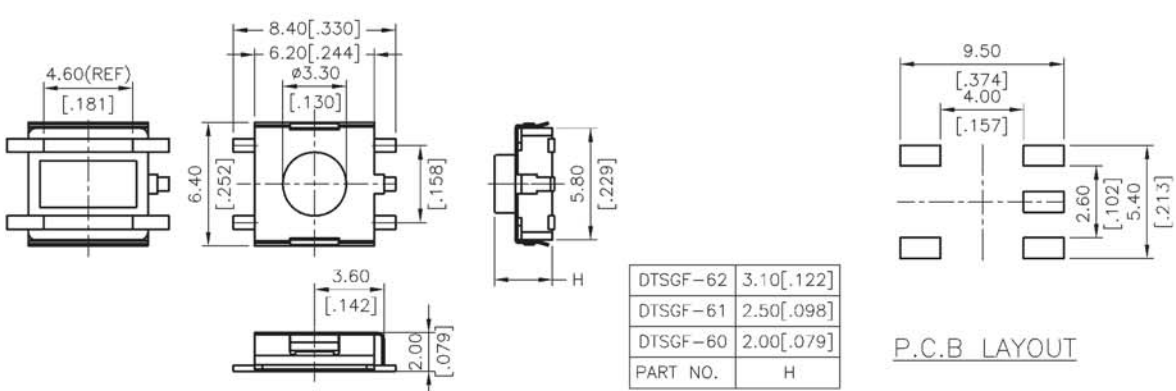
### CIRCUIT



### DTSL-6



### DTSGF-6



General Tolerance: ±0.2mm (±0.008")