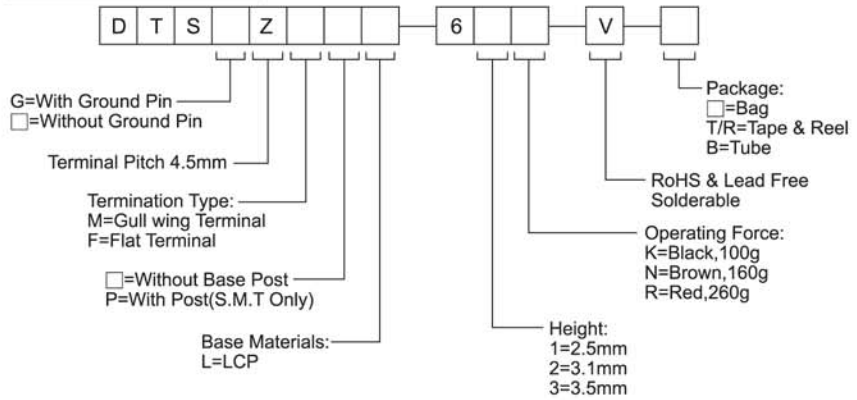


DTS(G)ZM(P)-6 SERIES

6x6 Thinner Type With Ground Terminal (Pitch 4.5mm)



HOW TO ORDER



SPECIFICATION

MECHANICAL

Operation Force: 260±50gf Red(R)
 160±50gf Brown(N)
 100±50gf Black(K)
 Stroke: 0.25+0.2/-0.1mm

ENVIRONMENTAL

Operation Temperature Range : -25°C to +70°C
 Storage Temperature Range : -30°C to +80°C

ELECTRICAL

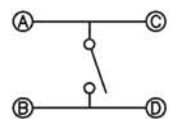
Electrical Life: 100,000 cycles for 260gf
 200,000 cycles for 100gf, 160gf
 Rating : 50mA, 12VDC

PACKAGE

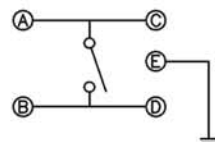
Tube: 75 pcs/tube
 DTS(G)ZM-61-T/R: 2500 pcs/reel
 DTS(G)ZM-62-T/R: 2500 pcs/reel
 DTSGZMP-62: 1400 pcs/reel

CIRCUIT

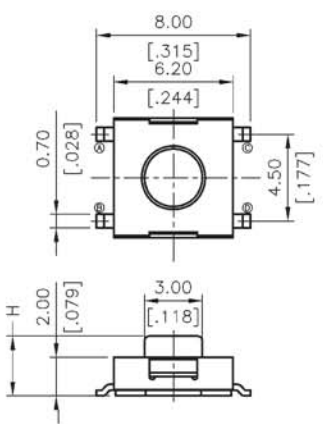
DTSZML-6



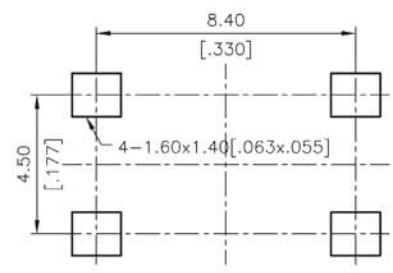
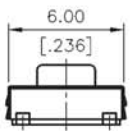
DTSGZMLP-6



DTSZML-6

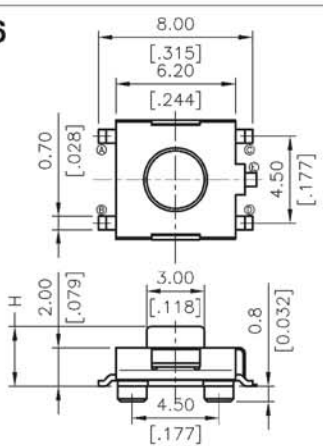


DTSZML-62	3.10	[.122]
DTSZML-61	2.50	[.098]
PART NO.	H	

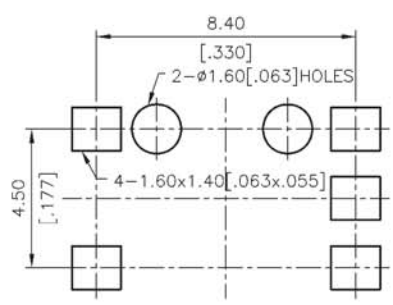
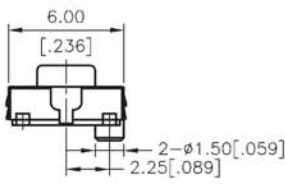


P.C.B. LAYOUT

DTSGZMLP-6



DTSZMLP-62	3.10	[.122]
DTSZMLP-61	2.50	[.098]
PART NO.	H	



P.C.B. LAYOUT

General Tolerance: ±0.2mm(±0.008")