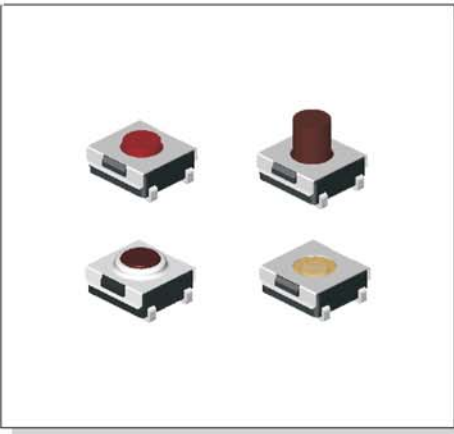
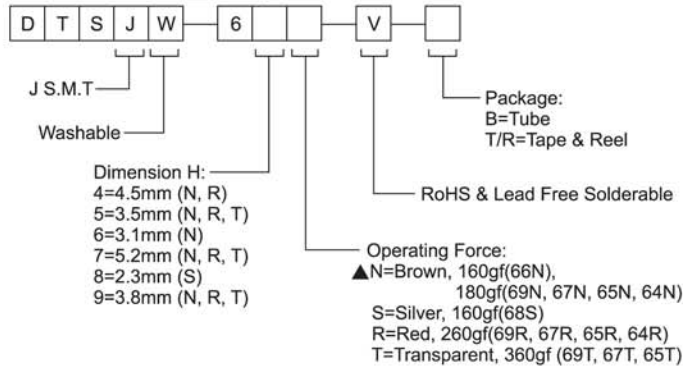


HOW TO ORDER



SPECIFICATION

MECHANICAL

Operation Force:
360±90gf, Transparent (T) 69, 67, 65
260±70gf, Red (R) 69, 67, 65, 64
180±50gf, Brown (N) 69, 67, 65, 64
160±50gf, Brown (N) 66
160±50gf, Silver (S) 68
Stroke :
0.25±0.2/-0.1mm 66N, 68S
0.45±0.2mm, [67 - 69 N/R], [64 - 65N/R/T]
0.6 ± 0.2 mm, 69, 67T

ENVIRONMENTAL

Operation Temperature Range : -25°C to +70°C
Storage Temperature Range : -30°C to +80°C

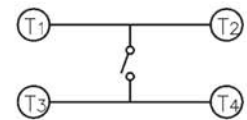
ELECTRICAL

Electrical Life :
500,000 cycles for 69, 67, 65, 64
100,000 cycles for 66, 68
Rating : 50mA, 12VDC

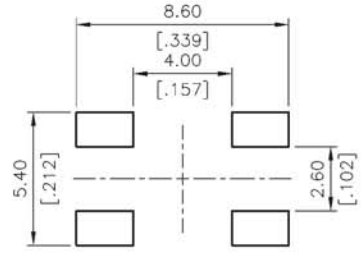
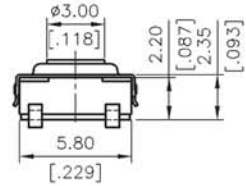
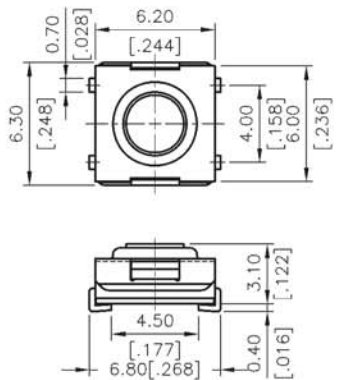
PACKAGE

Tube: 75 pcs/tube
DTSJW-64, 67: 900 pcs/reel
DTSJW-65, 69: 1800 pcs/reel
DTSJW-66: 1900 pcs/reel
DTSJW-68: 2700 pcs/reel

CIRCUIT

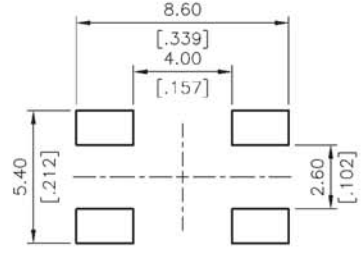
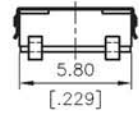
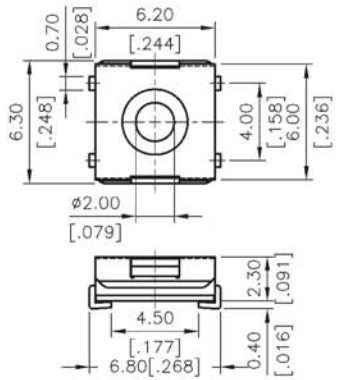


DTSJW-66



P.C.B LAYOUT

DTSJW-68



P.C.B LAYOUT

General Tolerance: ±0.2mm(±0.008")