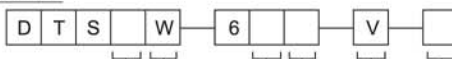




DTS(G)MW-6 SERIES

6x6 Gull-Wing SMT Washable Type

HOW TO ORDER



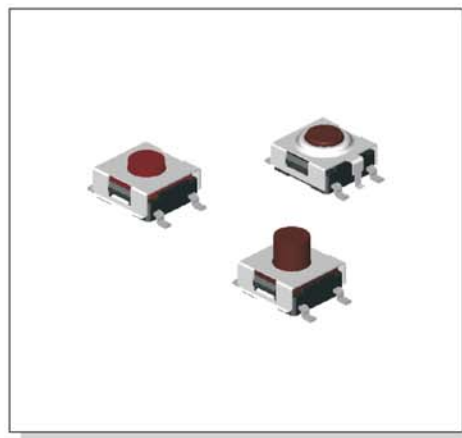
M=Surface Mounting Terminals
GM=S.M.T & With Ground Terminal
(66 Only)

Washable
Dimension H:
4=4.5mm (N, R)
5=3.5mm (N, R, T)
6=3.1mm (N)
7=5.2mm (N, R, T)
8=2.3mm (S)
9=3.8mm (N, R, T)

Package:
B=Tube
T/R=Tape & Reel

RoHS & Lead Free Solderable

Operating Force:
N=Brown, 160gf(66N)
180gf
(69N, 67N, 65N, 64N)
S=Silver, 160gf(68S)
R=Red, 260gf
T=Transparent, 360gf
(69T, 67T, 65T)



SPECIFICATION

MECHANICAL

Operation Force:
360±90gf, Transparent (T), 69, 67, 65
260±70gf, Red (R), 69,67,65,64
180±50gf, Brown (N), 69,67,65,64
160±50gf, Brown (N), 66
160±50gf, Silver (S), 68
Stroke:
0.25 +0.20 / - 0.1 mm 66N, 68S
0.45±0.2mm, [67 · 69 N/R], [64 · 65N/R/T]
0.6±0.2mm, 69, 67T

ENVIRONMENTAL

Operation Temperature Range : -25°C to +70°C
Storage Temperature Range : -30°C to +80°C

ELECTRICAL

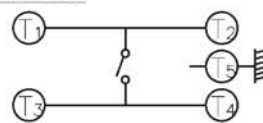
Electrical Life:
500,000 cycles min. for 69, 67, 65, 64
100,000 cycles min. for 66,68
Rating: 50mA, 12VDC

PACKAGE

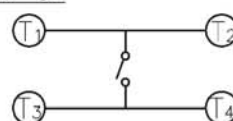
Tube: 75 pcs/tube
DTSGMW-66: 2000 pcs/reel
DTSMW-66, 68: 2000 pcs/reel
DTSMW-69, 65: 1900 pcs/reel
DTSMW-67, 64: 900 pcs/reel

CIRCUIT

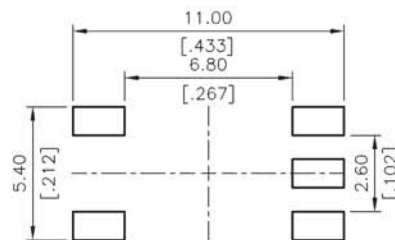
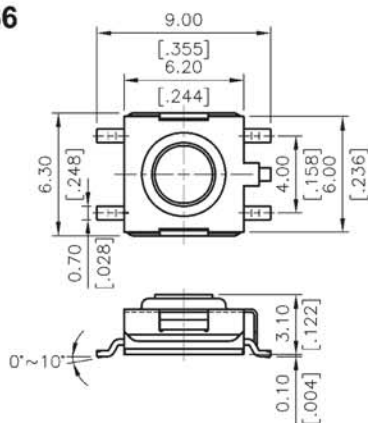
DTSGMW-66



DTSMW-6*

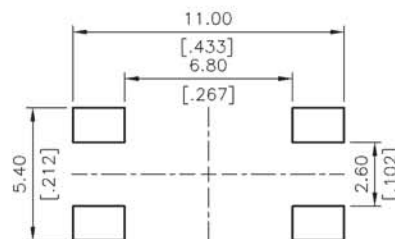
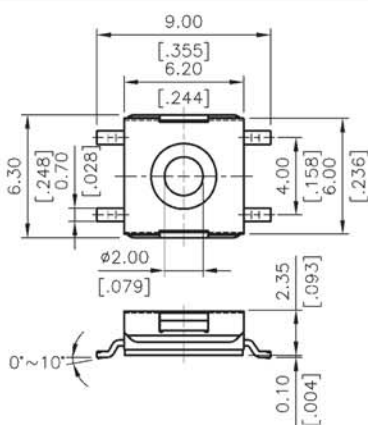


DTSGMW-66



P.C.B. LAYOUT

DTSMW-68



P.C.B. LAYOUT

General Tolerance: ±0.2mm(±0.008")