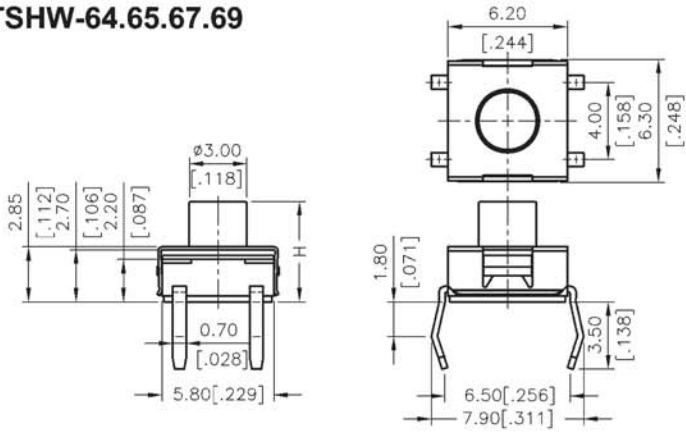
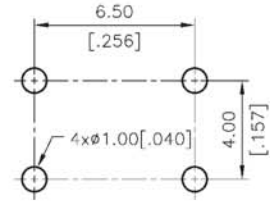


### DTSHW-64.65.67.69



DTSHW-69	3.80 [.150]
DTSHW-67	5.20 [.205]
DTSHW-65	3.50 [.138]
DTSHW-64	4.50 [.177]
PART NO.	H



P.C.B. LAYOUT