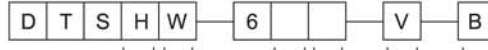


HOW TO ORDER



Through Hole Terminals
 Washable
 Dimension H:
 4=4.5mm (N, R)
 5=3.5mm (N, R, T)
 6=3.1mm (N)
 7=5.2mm (N, R, T)
 8=2.3mm (S)
 9=3.8mm (N, R, T)

Operating Force:
 N=Brown, 160gf(66N)
 180gf
 (69N, 67N, 65N, 64N)
 S=Silver, 160gf(68S)
 R=Red, 260gf
 T=Transparent, 360gf
 (69T, 67T, 65T)

Package:
 B=Tube
 RoHS & Lead Free Solderable



SPECIFICATION

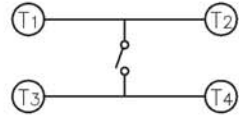
MECHANICAL
 Operation Force:
 360±90gf, Transparent (T),69, 67, 65
 260±70gf Red (R),69,67,65,64
 180±50gf Brown (N),69,67,65,64
 160±50gf Brown (N), 66
 160±50gf Silver (S), 68
 Stroke:
 0.25±0.20 / - 0.1 mm 66N, 68S
 0.45±0.2mm, [67 · 69 N/R], [64 · 65N/R/T]
 0.6±0.2mm, 69, 67T

ENVIRONMENTAL
 Operation Temperature Range : -25°C to +70°C
 Storage Temperature Range : -30°C to +80°C

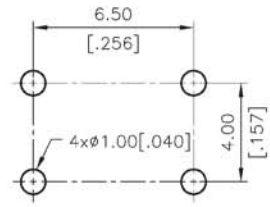
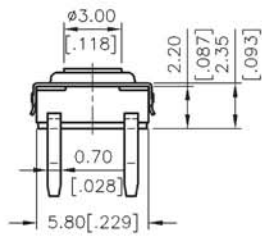
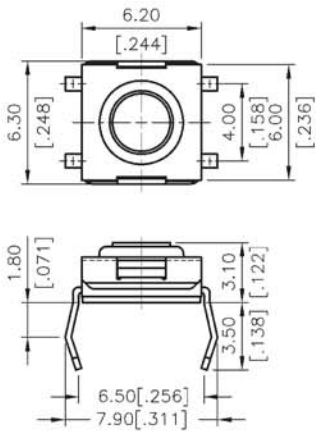
ELECTRICAL
 Electrical Life:
 500,000 cycles min. for 69, 67, 65, 64
 100,000 cycles min. for 66,68
 Rating: 50mA, 12VDC

PACKAGE
 Tube: 75 pcs/tube

CIRCUIT

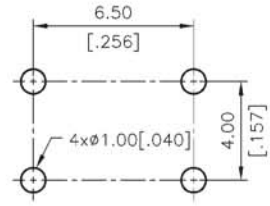
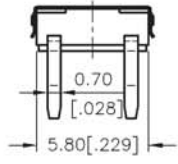
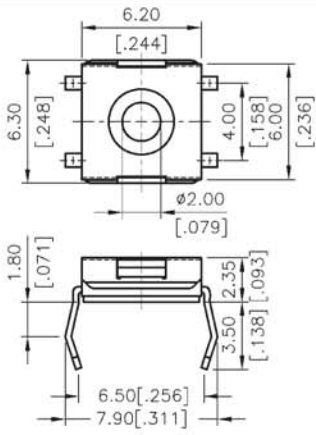


DTSHW-66



P.C.B. LAYOUT

DTSHW-68



P.C.B. LAYOUT

General Tolerance: ±0.2mm(±0.008")