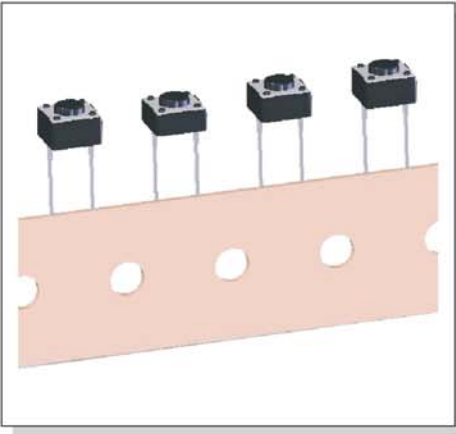
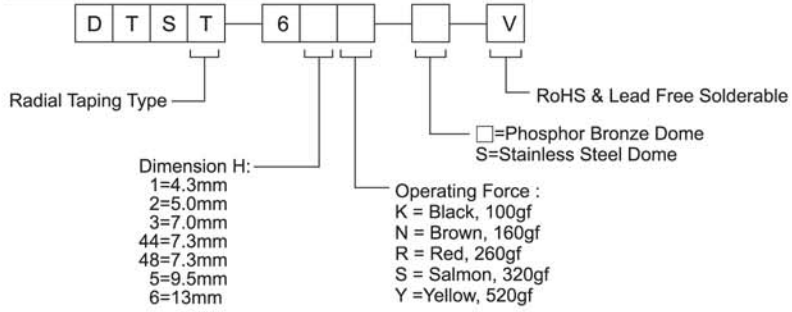


DTST-6 SERIES

6x6 Radial Taping Type

TACT SWITCH

HOW TO ORDER



SPECIFICATION

MECHANICAL

Operation Force: 520 ± 130gf Yellow(Y)
 320 ± 80gf Salmon(S)
 260 ± 50gf Red(R)
 160 ± 50gf Brown(N)
 100 ± 50gf Black(K)

Stroke : 0.25+0.2/-0.1mm

ENVIRONMENTAL

Operation Temperature Range : -25°C to +70°C
 Storage Temperature Range : -30°C to +80°C

ELECTRICAL

Electrical Life:
 *Phosphor Bronze Dome
 50,000 cycles for 320gf, 520gf
 100,000 cycles for 260gf
 200,000 cycles for 100gf, 160gf
 *Stainless Steel Dome
 300,000 cycles for 320gf, 520gf
 500,000 cycles for 260gf
 1,000,000 cycles for 100gf, 160gf
 Rating: 50mA, 12VDC

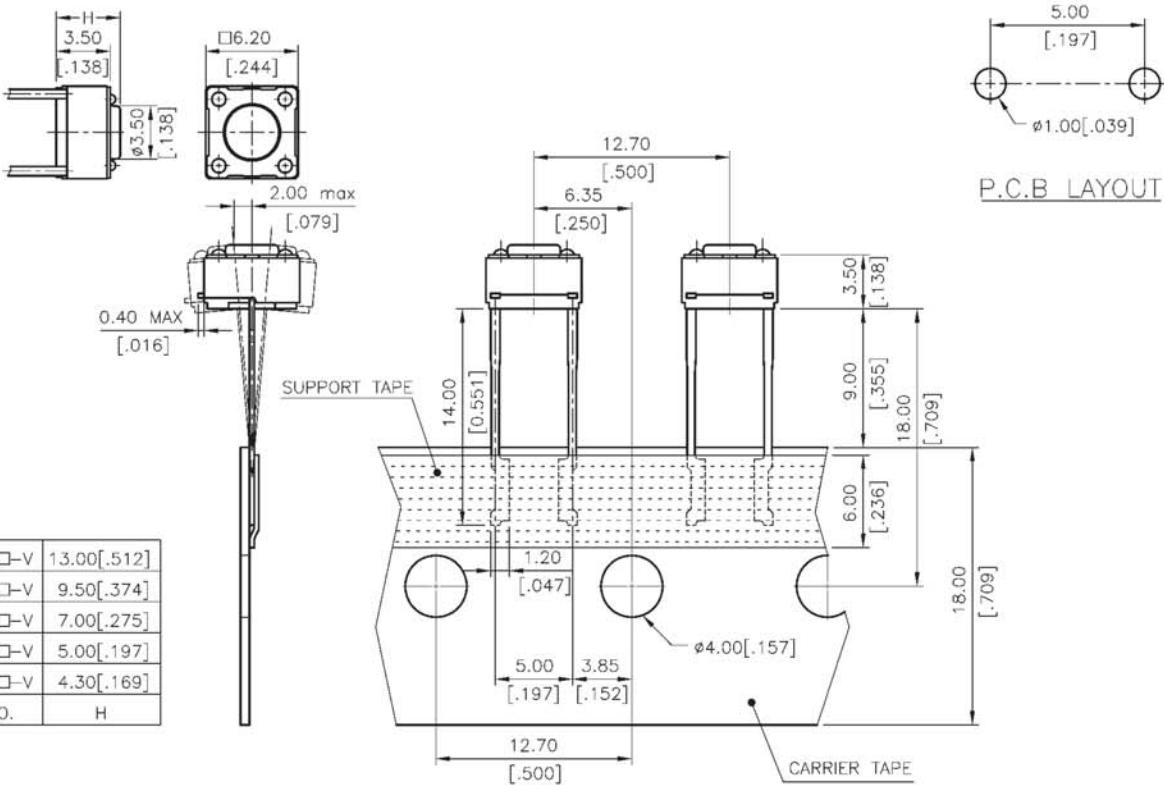
PACKAGE

900 pcs/box
 9 boxes/Carton

CIRCUIT



DTST-6



DTST-66□-V	13.00 [.512]
DTST-65□-V	9.50 [.374]
DTST-63□-V	7.00 [.275]
DTST-62□-V	5.00 [.197]
DTST-61□-V	4.30 [.169]
PROD. NO.	H

General Tolerance: ±0.2mm(±0.008")