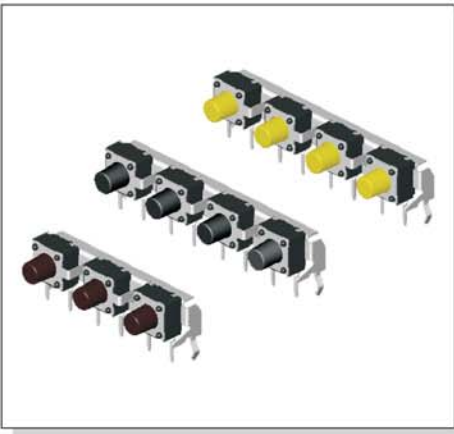


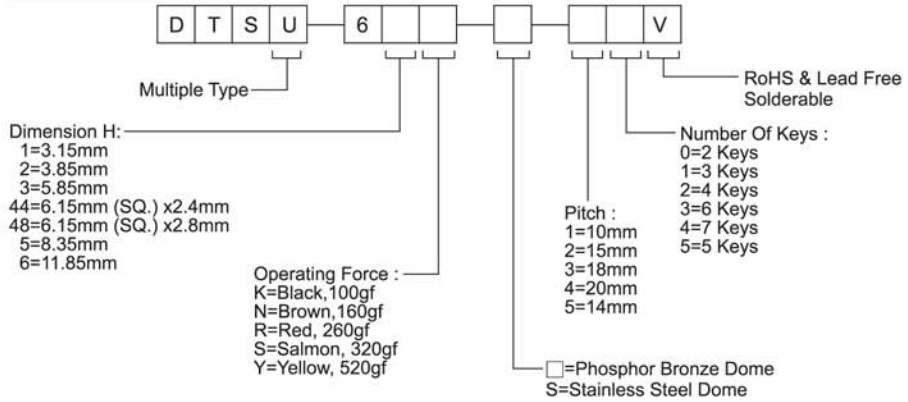


DTSU-6 SERIES

6x6 Multiple Type



HOW TO ORDER



SPECIFICATION

MECHANICAL

Operation Force: 520+130gf Yellow (Y)
 320+80gf Salmon (S)
 260+50gf Red (R)
 160+50gf Brown (N)
 100+50gf Black (K)

Stroke : 0.25+0.2mm/-0.1mm

ENVIRONMENTAL

Operation Temperature Range : -25°C to +70°C
 Storage Temperature Range : -30°C to +80°C

ELECTRICAL

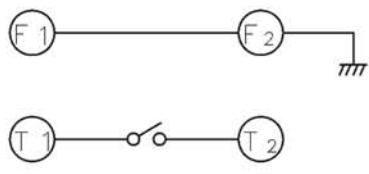
Electrical Life: *Phosphor Bronze Dome
 50,000 cycles for 320gf, 520gf
 100,000 cycles for 260gf
 200,000 cycles for 100gf, 160gf
 *Stainless Steel Dome
 300,000 cycles for 320gf, 520gf
 500,000 cycles for 260gf
 1,000,000 cycles for 100gf, 160gf

Rating: 50mA, 12VDC

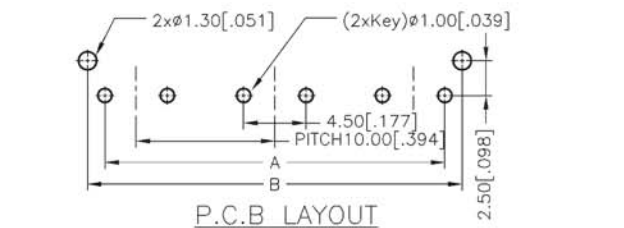
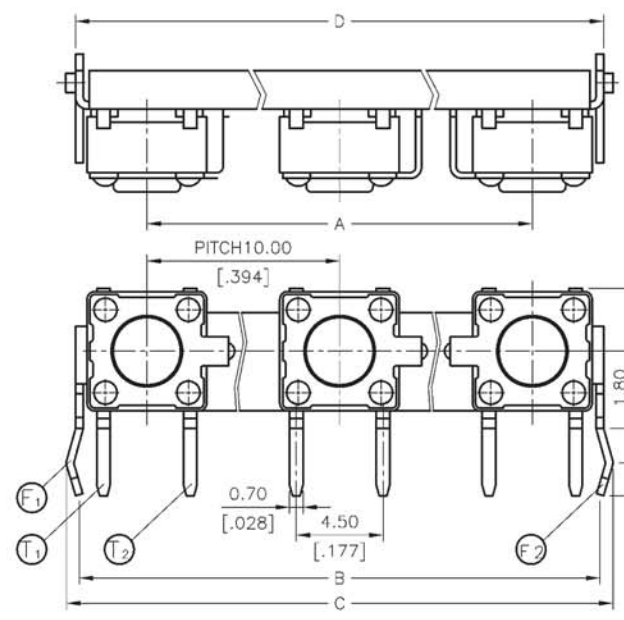
PACKAGE

- DTSU-62-10: 190 pcs/set
- DTSU-62-11: 70 pcs/set
- DTSU-62-12: 56 pcs/set
- DTSU-62-13: 32 pcs/set
- DTSU-62-14: 57 pcs/set
- DTSU-62-15: 76 pcs/set
- DTSU-62-20: 90 pcs/set
- DTSU-62-21: 76 pcs/set
- DTSU-62-22: 57 pcs/set
- DTSU-62-23: 26 pcs/set
- DTSU-62-31: 76 pcs/set
- DTSU-62-32: 42 pcs/set
- DTSU-62-33: 38 pcs/set
- DTSU-62-42: 38 pcs/set
- DTSU-62-52: 40 pcs/set

CIRCUIT



DTSU-6



DTSU-66□-□	11.85[.467]
DTSU-65□-□	8.35[.329]
DTSU-64 ¹ □-□	6.15(SQ)[.242]
DTSU-63□-□	5.85[.230]
DTSU-62□-□	3.85[.152]
DTSU-61□-□	3.15[.124]
PROD. NO.	H

10	2	10	17	18.7	17.4
	3	20	27	28.7	27.4
	4	30	37	38.7	37.4
	5	40	47	48.7	47.4
	6	50	57	58.7	57.4
	7	60	67	68.7	67.4
	14	2	14	22	23.5
3		28	36	37.5	36.4
4		42	50	51.5	50.4
5		56	64	65.5	64.4
6		70	78	79.5	78.4
7		84	92	93.5	92.4
15		2	15	22	23.7
	3	30	37	38.7	37.4
	4	45	52	53.7	52.4
	5	60	67	68.7	67.4
	6	75	82	83.7	82.4
	7	100	97	98.7	97.4
	18	2	18	25	26.7
3		36	43	44.7	43.4
4		54	61	62.7	61.4
5		72	79	80.7	79.4
6		90	97	98.7	97.4
7		108	115	116.7	115.4
20		2	20	27	28.7
	3	40	47	48.7	47.4
	4	60	67	68.7	67.4
	5	80	87	88.7	87.4
	6	100	107	108.7	107.4
	7	120	127	128.7	127.4
	PITCH (mm)	Q'TY Of Keys	A DIM	B DIM	C DIM

General Tolerance: ±02mm(±0.008")