

DTSA-6 & DTSG-6 SERIES

6x6 Right Angle & Ground Terminal Type



HOW TO ORDER



A = Right Angle
G = With Ground Terminal

RoHS & Lead Free Solderable

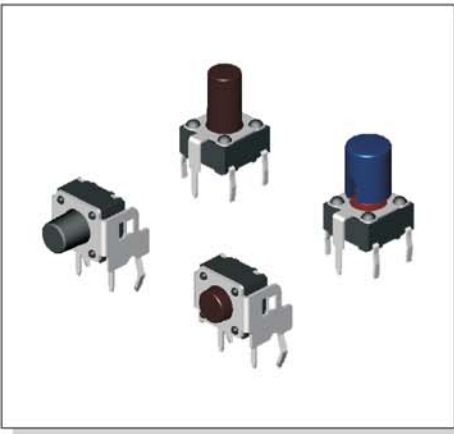
□ = Phosphor Bronze Dome
S = Stainless Steel Dome

Dimension H:

CODE	DTSA-6	DTSG-6
▲(SQ.)x2.4mm	1=3.15mm	1=4.3mm
(SQ.)x2.8mm	2=3.85mm	2=5.0mm
	3=5.85mm	3=7.0mm
	44=6.15mm	44=7.3mm
	48=6.15mm	48=7.3mm
	5=8.35mm	5=9.5mm
	6=11.85mm	6=13.0mm

Operating Force :

- K = Black, 100gf
- N = Brown, 160gf
- R = Red, 260gf
- S = Salmon, 320gf
- Y = Yellow, 520gf



SPECIFICATION

MECHANICAL

Operation Force: 520 ± 130gf Yellow(Y)
320 ± 80gf Salmon(S)
260 ± 50gf Red(R)
160 ± 50gf Brown(N)
100 ± 50gf Black(K)

Stroke : 0.25+0.2/-0.1mm

ENVIRONMENTAL

Operation Temperature Range : -25°C to +70°C
Storage Temperature Range : -30°C to +80°C

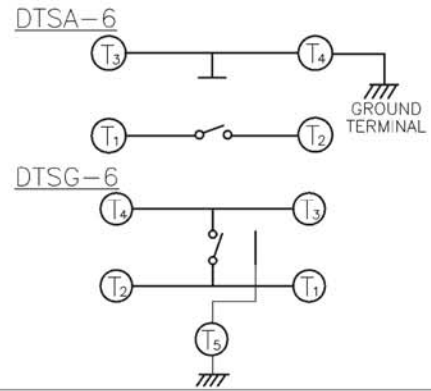
ELECTRICAL

Electrical Life:
*Phosphor Bronze Dome
50,000 cycles for 320gf, 520gf
100,000 cycles for 260gf
200,000 cycles for 100gf, 160gf
*Stainless Steel Dome
300,000 cycles for 320gf, 520gf
500,000 cycles for 260gf
1,000,000 cycles for 100gf, 160gf
Rating: 50mA, 12VDC

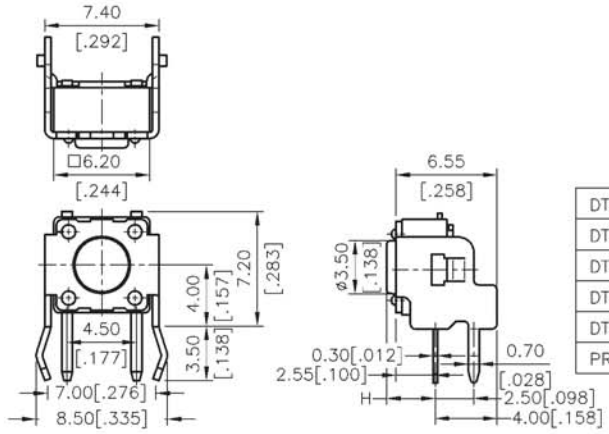
PACKAGE

DTSA-6: 500 pcs/bag
DTSG-6: 1000 pcs/bag

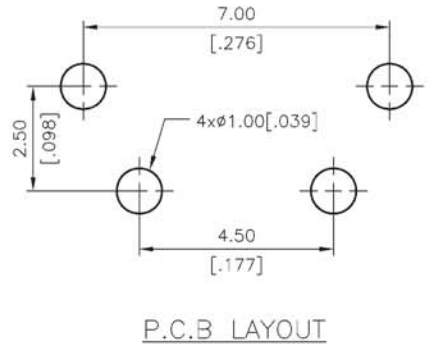
CIRCUIT



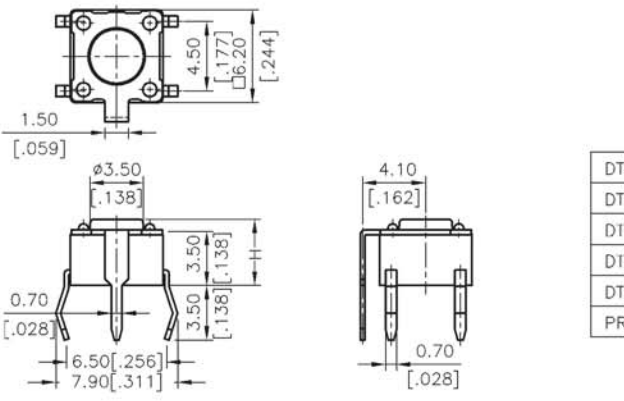
DTSA-6



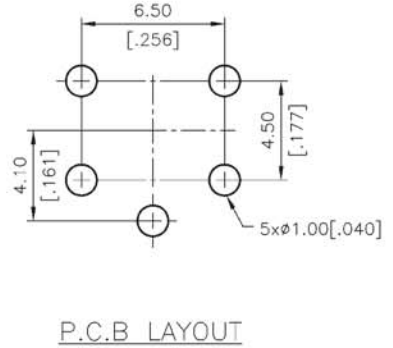
DTSA-66□-V	11.85[.467]
DTSA-65□-V	8.35[.329]
DTSA-63□-V	5.85[.230]
DTSA-62□-V	3.85[.152]
DTSA-61□-V	3.15[.124]
PROD. NO.	H



DTSG-6



DTSG-66□-V	13.00[.512]
DTSG-65□-V	9.50[.374]
DTSG-63□-V	7.00[.275]
DTSG-62□-V	5.00[.197]
DTSG-61□-V	4.30[.169]
PROD. NO.	H



General Tolerance: ±0.2mm(±0.008")