

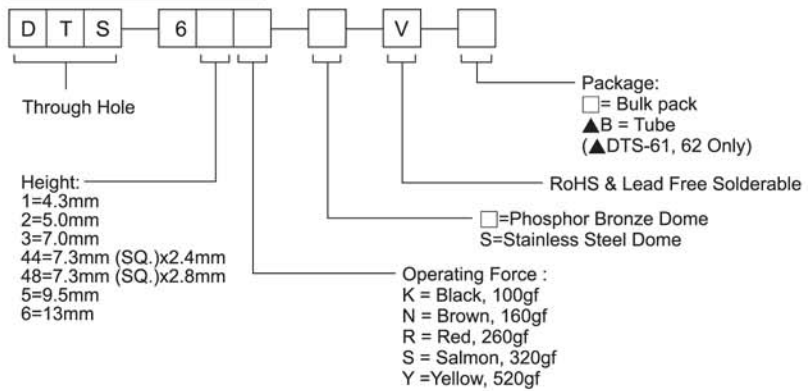


DTS-6 SERIES

6x6 Through Hole Type



HOW TO ORDER



SPECIFICATION

MECHANICAL

Operation Force: 520 ± 130gf Yellow(Y)
 320 ± 80gf Salmon(S)
 260 ± 50gf Red(R)
 160 ± 50gf Brown(N)
 100 ± 50gf Black(K)

Stroke : 0.25+0.2/-0.1mm

ENVIRONMENTAL

Operation Temperature Range : -25° C to +70° C
 Storage Temperature Range : -30° C to +80° C

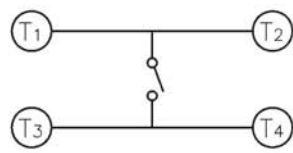
ELECTRICAL

Electrical Life:
 *Phosphor Bronze Dome
 50,000 cycles for 320gf, 520gf
 100,000 cycles for 260gf
 200,000 cycles for 100gf, 160gf
 *Stainless Steel Dome
 300,000 cycles for 320gf, 520gf
 500,000 cycles for 260gf
 1,000,000 cycles for 100gf, 160gf
 Rating: 50mA, 12VDC

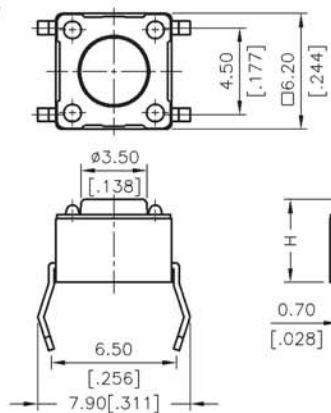
PACKAGE

DTS-6: 1000 pcs/bag
 DTS-61/62: 77 pcs/tube

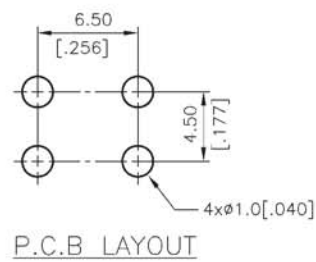
CIRCUIT



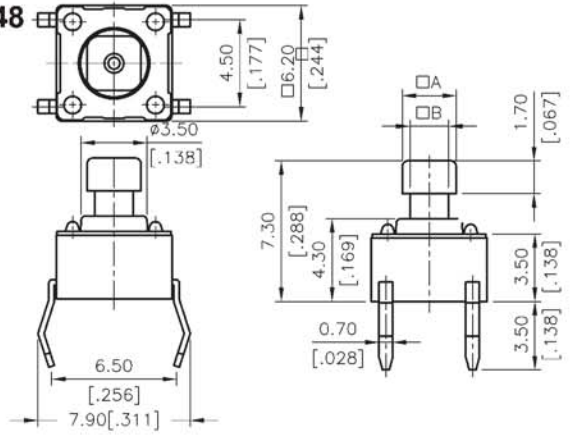
DTS-61~66



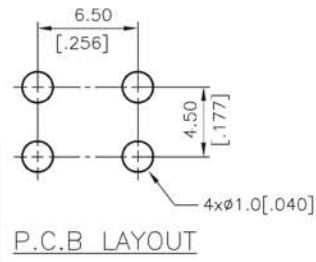
| | |
|-----------|-------------|
| DTS-66□-V | 13.00[.512] |
| DTS-65□-V | 9.50[.374] |
| DTS-63□-V | 7.00[.275] |
| DTS-62□-V | 5.00[.197] |
| DTS-61□-V | 4.30[.169] |
| PROD. NO. | H |



DTS-644,648



| | | | |
|------------|------|------|-------|
| DTS-644□-V | □A | 2.40 | 0.095 |
| | □B | 1.60 | 0.063 |
| DTS-648□-V | □A | 2.80 | 0.110 |
| | □B | 2.00 | 0.079 |
| PROD. NO. | LOC. | MM | INCH. |



General Tolerance: ±0.2mm(±0.008")