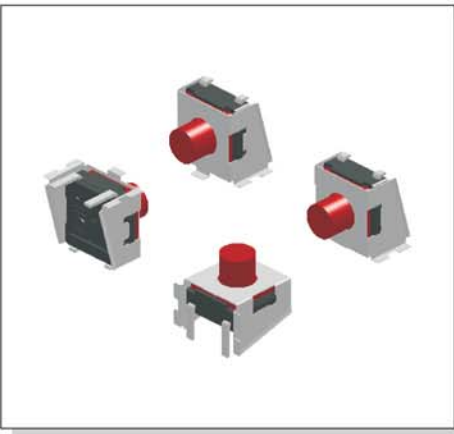
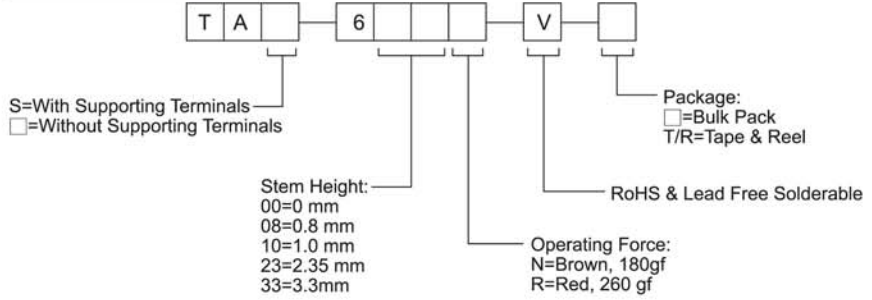


HOW TO ORDER



SPECIFICATION

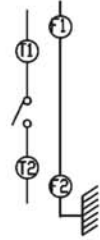
MECHANICAL
Operation Force: 260±70gf (Red)
180±50gf (Brown)
Stroke: 0.45±0.2mm.

ENVIRONMENTAL
Operation Temperature Range : -25°C to +70°C
Storage Temperature Range : -30°C to +80°C

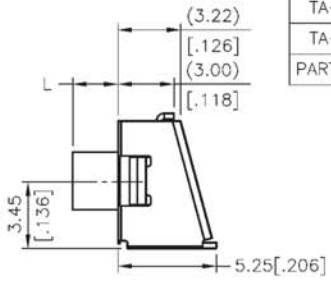
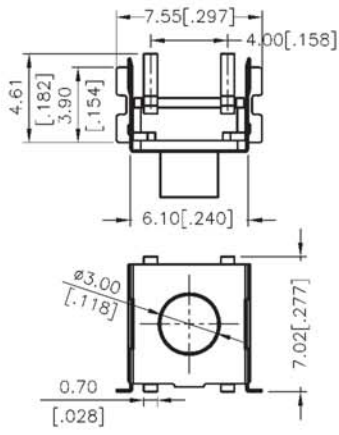
ELECTRICAL
Electrical Life: 500,000 cycles.
Rating: 50mA, 12VDC.

PACKAGE
500 pcs/bag
TA(S)-600-T/R: 700 pcs/reel
TA(S)-608-T/R: 700 pcs/reel
TA(S)-610-T/R: 700 pcs/reel
TA(S)-623-T/R: 700 pcs/reel
TA(S)-633-T/R: 500 pcs/reel

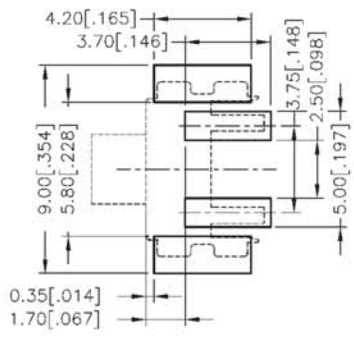
CIRCUIT



TA-6

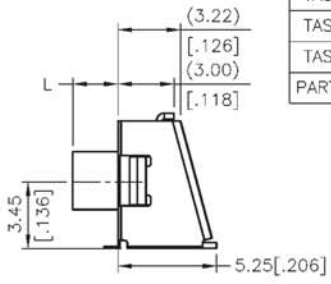
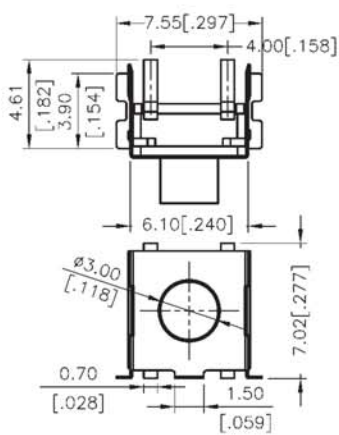


TA-600	0.00[.000]
TA-608	0.80[.031]
TA-610	1.00[.039]
TA-623	2.35[.092]
TA-633	3.30[.129]
PART NO.	H

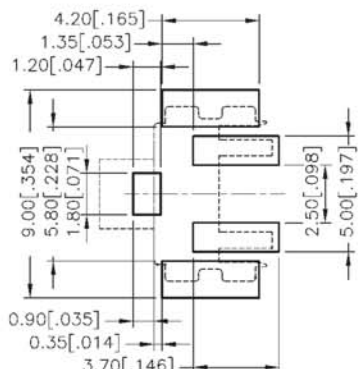


P.C.B LAYOUT

TAS-6



TAS-600	0.00[.000]
TAS-608	0.80[.031]
TAS-610	1.00[.039]
TAS-623	2.35[.092]
TAS-633	3.30[.129]
PART NO.	H



P.C.B LAYOUT

General Tolerance: ±0.2mm(±0.008")