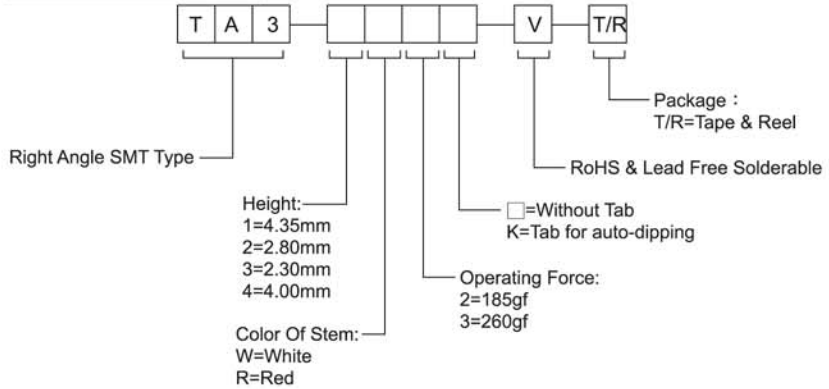


HOW TO ORDER



SPECIFICATION

MECHANICAL

Mechanical Life : 200,000 cycles
Operation Force : 260±50gf, Red(R)
185±50gf, White(W)

Stroke : 0.15mm Min

ENVIRONMENTAL

Operation Temperature Range : -25°C to +70°C
Storage Temperature Range : -30°C to +80°C

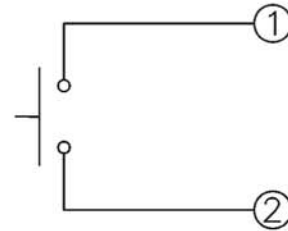
ELECTRICAL

Electrical Life : 200,000 cycles
Rating : 1.5mA, 5VDC

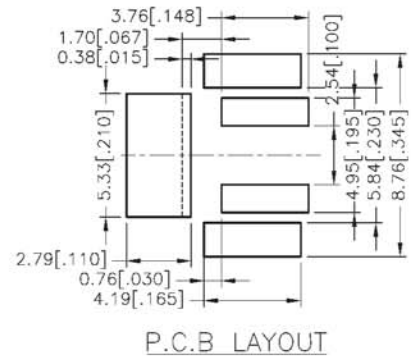
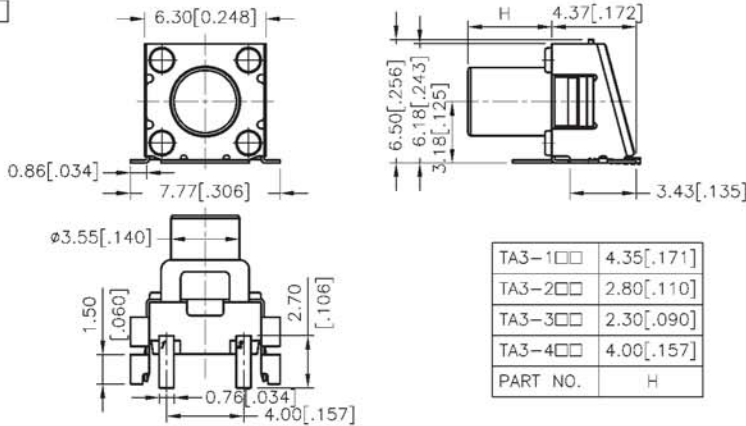
PACKAGE

TA3-1W2, 2W2, 1R3, 2R3: 600 pcs/reel
TA3-1W2K, 2W2K: 550 pcs/reel
TA3-1R3K, 2R3K: 550 pcs/reel

CIRCUIT



TA3-□□



TA3-□□K

