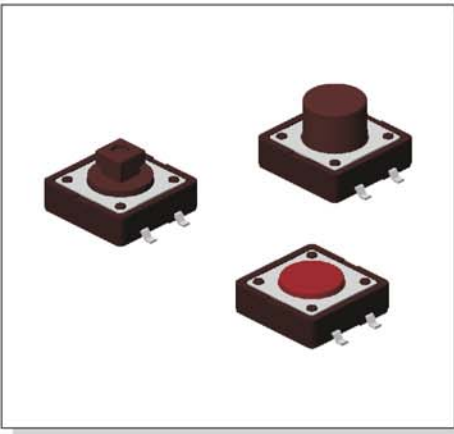
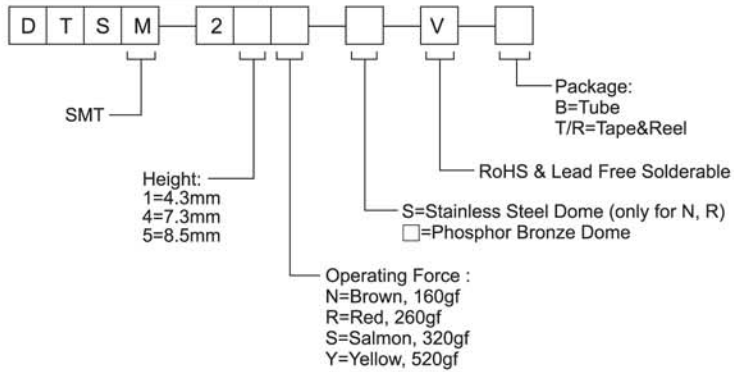


HOW TO ORDER



SPECIFICATION

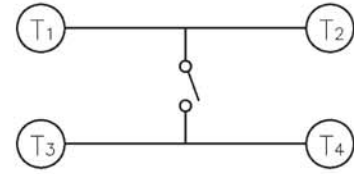
MECHANICAL
 Operation Force: 520 ± 130gf Yellow(Y)
 320 ± 80gf Salmon (S)
 260 ± 50gf Red (R)
 160 ± 50gf Brown (N)

Stroke: 0.35 ± 0.1mm
ENVIRONMENTAL
 Operation Temperature: -25°C to +70°C
 Storage Temperature: -30°C to +80°C

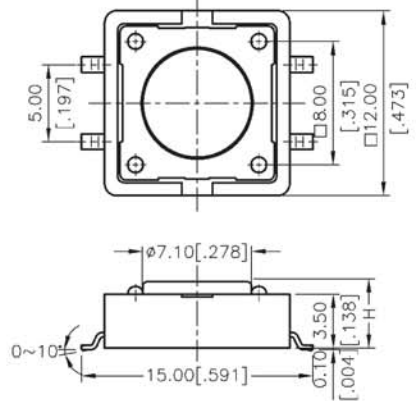
ELECTRICAL
 Electrical Life:
 100,000 cycles for 520gf, 320gf, 260gf
 200,000 cycles for 160gf
 Rating: 50mA, 12VDC

PACKAGE
 DTSM-2: 40 pcs/tube
 DTSM-21: 700 pcs/reel
 DTSM-24: 500 pcs/reel
 DTSM-25: 400 pcs/reel

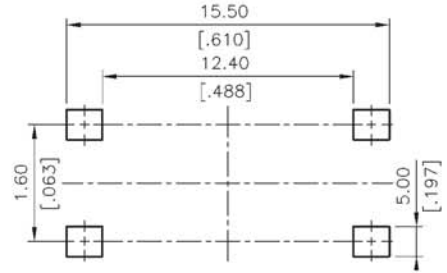
CIRCUIT



DTSM-21.25

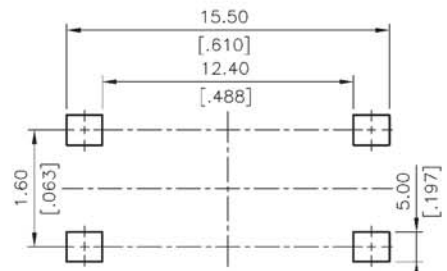
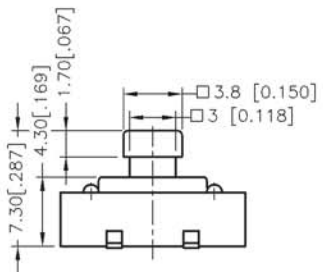
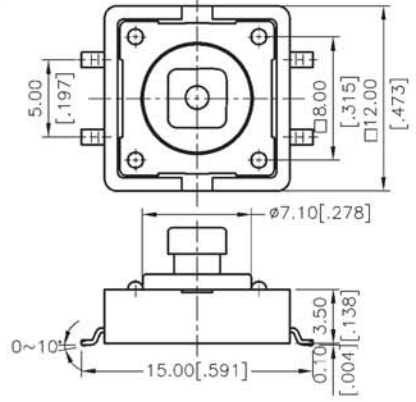


DTSM-25	8.50	[.335]
DTSM-21	4.30	[.169]
PROD. NO.	H	



P.C.B. LAYOUT

DTSM-24



P.C.B. LAYOUT

General Tolerance: ±0.2mm(±0.008")