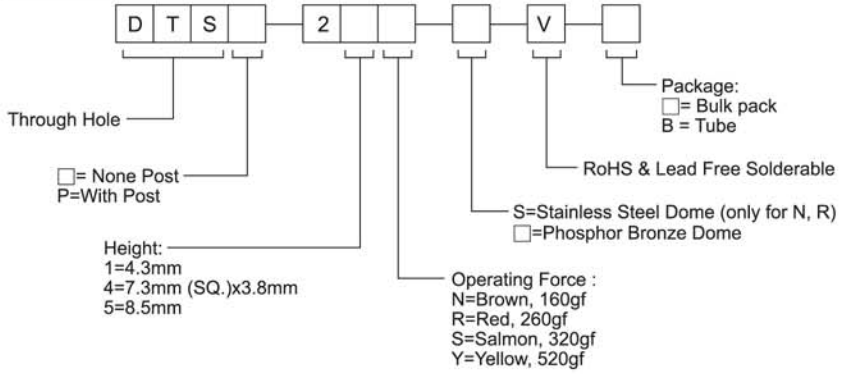


HOW TO ORDER



SPECIFICATION

MECHANICAL

Operation Force: 520 ± 130gf Yellow(Y)
320 ± 80gf Salmon(S)
260 ± 50gf Red(R)
160 ± 50gf Brown(N)

Stroke : 0.35 ± 0.1mm

ENVIRONMENTAL

Operation Temperature Range : -25°C to +70°C
Storage Temperature Range : -30°C to +80°C

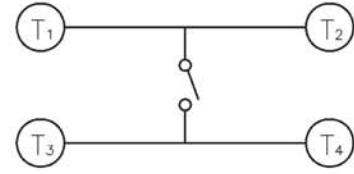
ELECTRICAL

Electrical Life:
100,000 cycles for 520gf, 320gf, 260gf
200,000 cycles for 160gf
Rating : 50mA, 12VDC

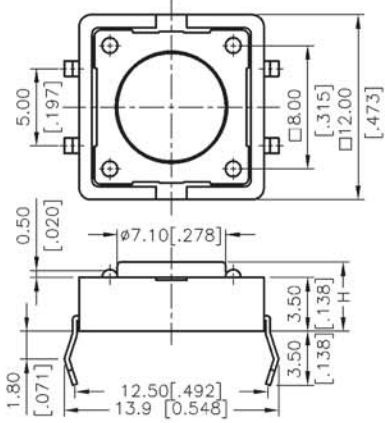
PACKAGE

DTS-2: 500 pcs/bag
DTS-2: 40 pcs/tube

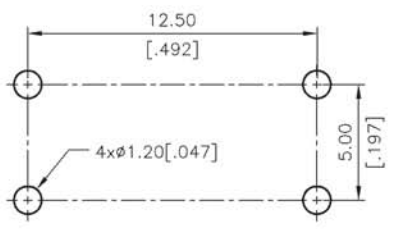
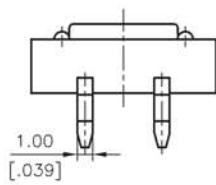
CIRCUIT



DTS-21.25

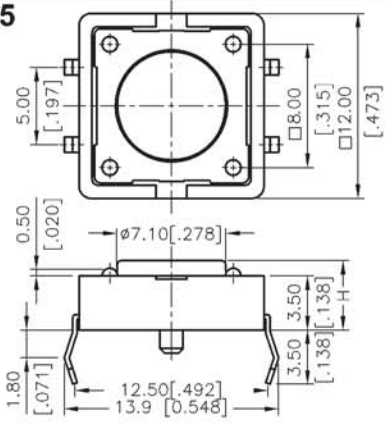


DTS-25□	8.50 [.335]
DTS-21□	4.30 [.169]
PROD. NO.	H

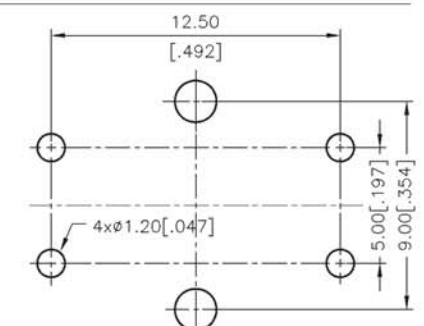
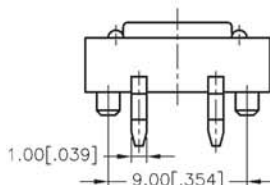


P.C.B. LAYOUT

DTSP-21.25



DTS-25□	8.50 [.335]
DTS-21□	4.30 [.169]
PROD. NO.	H



P.C.B. LAYOUT

General Tolerance: ±0.2mm(±0.008")