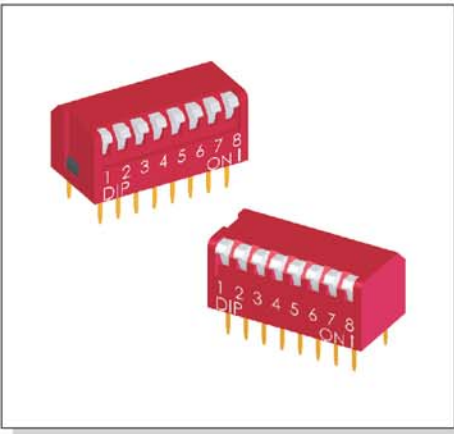
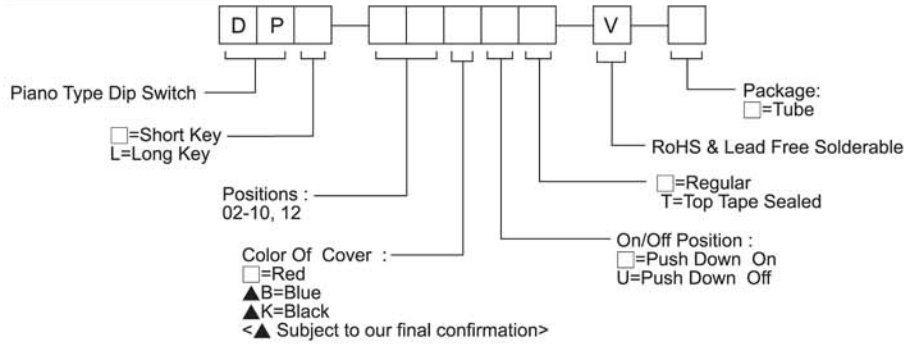


### HOW TO ORDER



### SPECIFICATION

#### MECHANICAL

Mechanical Life : 2,000 operations  
 Operation Force: 400gf max.  
 Stroke: 2.0mm

#### ENVIRONMENTAL

Operation Temperature: -20°C to +70°C  
 Storage Temperature: -40°C to +85°C

#### ELECTRICAL

Electrical Life: 2,000 operations  
 Non-Switching Rating: 100mA , 50VDC  
 Switching Rating: 25mA , 24VDC

#### PACKAGE

DP(L)-02: 70 pcs/tube	DP(L)-02-T: 65 pcs/tube
DP(L)-03: 50 pcs/tube	DP(L)-03-T: 49 pcs/tube
DP(L)-04: 39 pcs/tube	DP(L)-04-T: 39 pcs/tube
DP(L)-05: 32 pcs/tube	DP(L)-05-T: 32 pcs/tube
DP(L)-06: 27 pcs/tube	DP(L)-06-T: 27 pcs/tube
DP(L)-07: 24 pcs/tube	DP(L)-07-T: 24 pcs/tube
DP(L)-08: 21 pcs/tube	DP(L)-08-T: 21 pcs/tube
DP(L)-09: 19 pcs/tube	DP(L)-09-T: 19 pcs/tube
DP(L)-10: 17 pcs/tube	DP(L)-10-T: 17 pcs/tube
DP(L)-12: 14 pcs/tube	DP(L)-12-T: 14 pcs/tube

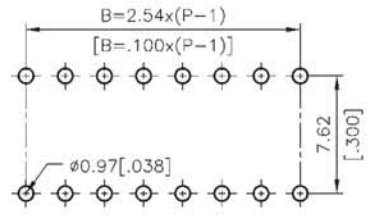
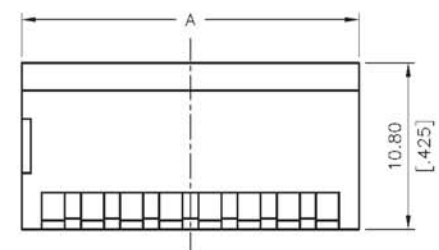
### CIRCUIT

#### SCHEMATIC(TYP.)

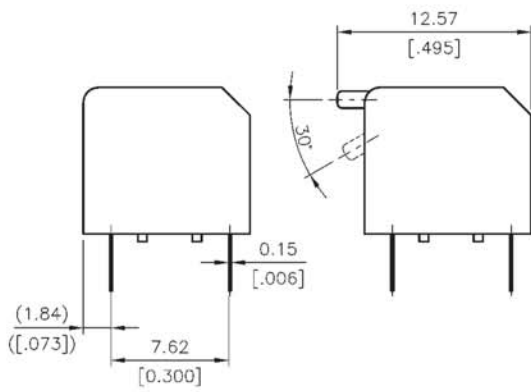
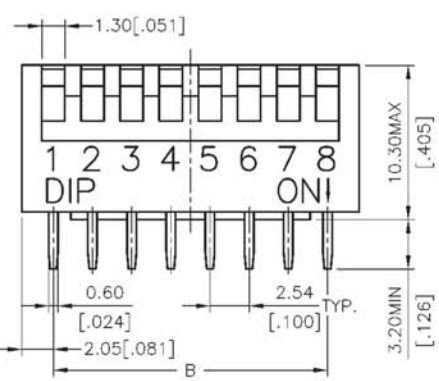


(2,3,4,5,6,7,8,9,10,12, POS AVAIL)

### DP(L)



P.C.B. LAYOUT



DP SERIES

DPL SERIES

DP-12-V	12	32.04	27.94
DPL-12-V		[1.261]	[1.100]
DP-10-V	10	26.96	22.86
DPL-10-V		[1.061]	[.900]
DP-09-V	9	24.42	20.32
DPL-09-V		[.961]	[.800]
DP-08-V	8	21.88	17.78
DPL-08-V		[.861]	[.700]
DP-07-V	7	19.34	15.24
DPL-07-V		[.761]	[.600]
DP-06-V	6	16.80	12.70
DPL-06-V		[.661]	[.500]
DP-05-V	5	14.26	10.16
DPL-05-V		[.561]	[.400]
DP-04-V	4	11.72	7.62
DPL-04-V		[.461]	[.300]
DP-03-V	3	9.18	5.08
DPL-03-V		[.361]	[.200]
DP-02-V	2	6.64	2.54
DPL-02-V		[.261]	[.100]
PROD. NO.	NO. OF POS.	DIM. A	DIM. B

General Tolerance: ±02mm( ±0.008")