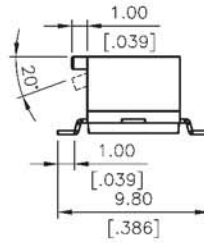
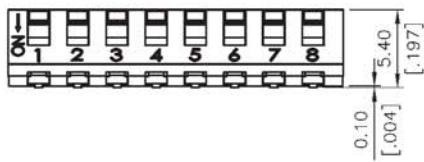
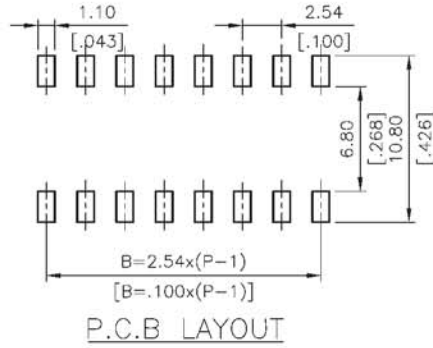
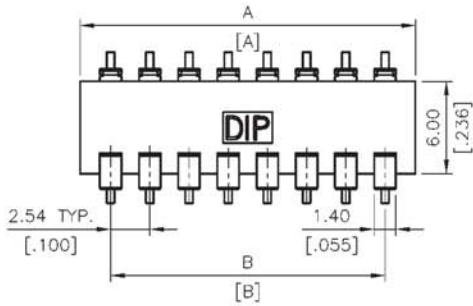


NPM



PROD. NO.	NO. OF POS.	DIM. A	DIM. B
NPI-10-V	10	26.80 [1.055]	22.86 [.900]
NPI-08-V	8	21.72 [.855]	17.78 [.700]
NPI-06-V	6	16.64 [.655]	12.70 [.500]
NPI-04-V	4	11.56 [.455]	7.62 [.300]
NPI-02-V	2	6.48 [.255]	2.54 [.100]